

PW 12 C One Chassis. Many possibilities.



Payload
13,200 kg | 29,100 lbs



Ground pressure
0.22 kg/cm² | 3.12 psi



Fording depth
1,300 mm | 51.2"



Tare weight
13,140 kg | 28,900 lbs



Max. speed
14.5 km/h | 9.0 mph



Gradeability
60 % uphill & downhill
40 % sidehill



PRODUCT KEY FEATURES

- ⊕ **Master of versatility:** In the most challenging conditions, wherever your job takes you, PowerBully is at home. Our off-road vehicles with payloads from 9,000 - 16,600 kg (19,900 to 36,600 lbs) bring people, equipment and material safely and reliably to any job site.
- ⊕ **No limitations:** Thanks to its off-road driving potential, PowerBully masters uneven terrain, mud, swamps and obstacles with ease.
- ⊕ **Safely and comfortable:** Large windows combined with a 360° camera system and premium LED lighting provide the operator with optimal visibility. The cab suspension and large wheels provide a smooth ride through rough terrain.

TANK VOLUMES

Diesel	250 l	66 gal
AdBlue	38 l	10 gal
Hydraulic oil	52 l	14 gal

CABIN

Suspended cab 1,412 mm width
ROPS / FOPS (Level I & II) certified
Single-hand joystick operation
Adjustable operator's seat

ILLUMINATION

6 LED working lights front and rear

2 axis inclination sensor
Rear view camera
10.4" Touch Display
Armrest with controls

ENGINE & POWER

Type	Cummins B6.7 Turbo Diesel	
No. of cylinders	6	
Displacement	6.7 l	6,700 ccm
Power Output @ 2,000 rpm	209 kW	285 hp
Max. Torque @ 1,500 rpm	1,288 Nm	950 ft lb
Emission standard	EU Stage V	Tier 4f
Drive Train	Hydrostatic Bosch Rexroth drive train	

CHASSIS

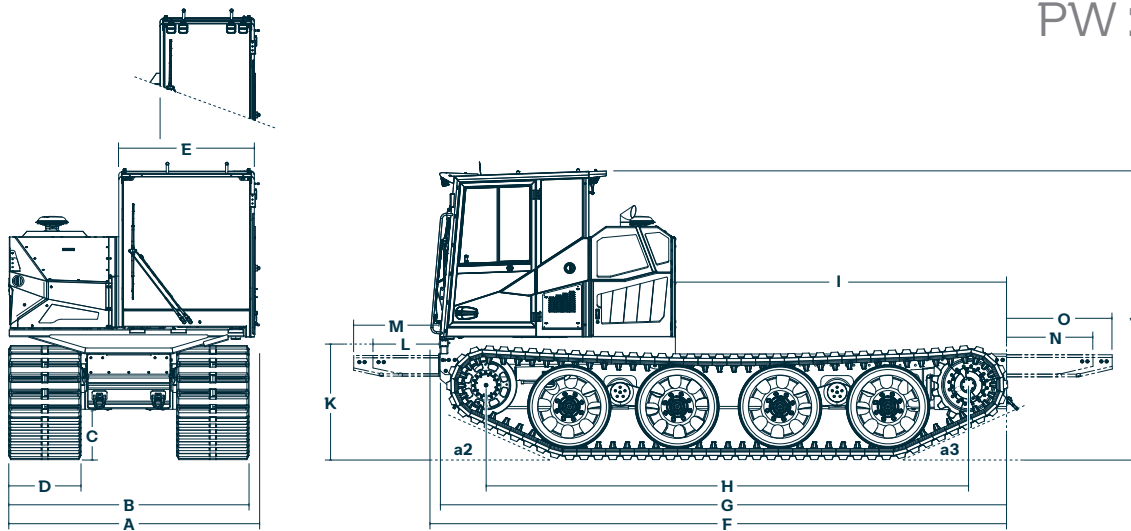
Track type	Endless rubber track	
Track width	750 mm	29.5"
Frame type	C-shaped profile	
Frame width	864 mm	
Wheels	8 steel wheels	
Walking beam		
Automatic track tensioning		
Ground pressure (empty)	0.22 kg/cm ²	3.12 psi
Ground pressure (loaded)	0.44 kg/cm ²	6.25 psi

Heating, temperature and fan control
Air conditioning
12 V power outlet
2 USB charging ports (type A and C)

Mobile phone tray
Sun blind
Air-conditioned cup holder
Limp home mode

PowerBully[®]

PW 12 C



DIMENSIONS

A	2,590 mm	102"	D	750 mm	29.5"
B	2,500 mm	98"	E	1,412 mm	55.6"
C	530 mm	21"	F	6,036 mm	237.6"

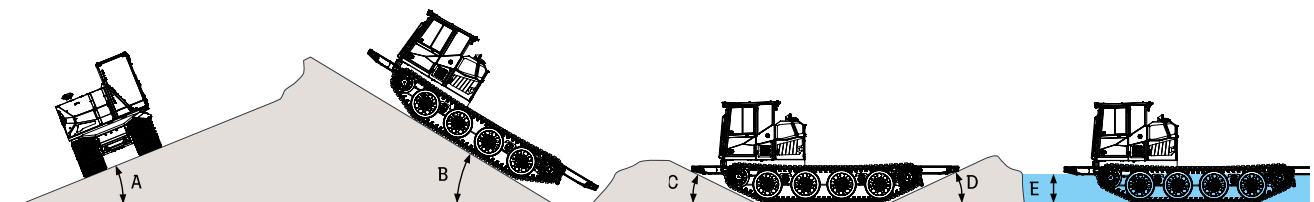
Optional: Narrow cab E 982 mm | 39"

G	5,900 mm	232.3"	J	3,005 mm	118"
H	5,021 mm	198"	K	1,300 mm	51.2"
I	3,450 mm	135.8"	L	700 mm	27.6"

M	900 mm	35.4"	N	900 mm	35.4"
O	1,100 mm	43.3"			

ANGLES

a2	24°
a3	26°



OFF-ROAD ABILITIES

A Sidehill	40% 22°
B Uphill / Downhill	60% 31°
E Fording depth	1,300 mm 51.2"

C Approach angle with	700 mm 27.6" frame extension	28°
	900 mm 35.4" frame extension	24°

D Departure angle with	900 mm 35.4" frame extension	29°
	1,100 mm 43.3" frame extension	24°

INTERFACES

PTO for attachments

Power	126 kW (600 Nm)
Rotation speed	828 - 2,367 rpm
Transmission	1 : 0.845

Mechanical

Frame type	C-shaped profile with pre-drilled hole patterns	
Frame width	864 mm	34"

Electrical

Power supply for attachments	12 V or 24 V
Attachment interface	

OPTIONS

Safety

Premium LED working lights
Beacon light
Auxiliary lights (High and low beam, rear light, indicators)
360° camera (on request)
Foldable front protective grid
FOPS level II protective grid
Hydraulic winch (Tractive force: 11 t 24,251 lbs)

Comfort

Air suspended comfort seat
Adjustable steering wheel
Heated, electrically adjustable mirrors
Radio with bluetooth and a hands-free kit

Cold start

Heated fuel filter
Feeder pressure reduction
Engine block heater 230 V / 110 V
Electrical Hydraulic Oil Heating 230 V / 110 V
Auxiliary heating

Other

Telematics
Reversible fan
Frame extension (front) 700 - 900 mm 27.6" - 35.4"
Frame extension (rear) 900 - 1,100 mm 35.4" - 43.3"
Narrow cab
Trailer coupling
Air-intake in steel-version
Cyclonic pre-separator for air intake



Get in touch
Fast. Direct. Personal.
Scan the code to find your contact.

www.powerbully.com



KÄSSBOHRER GELÄNDEFahrzeug AG